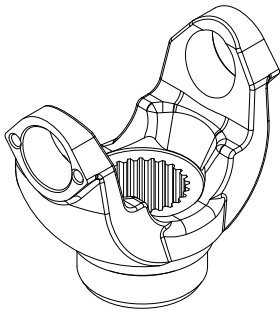




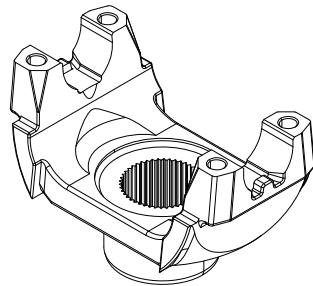
MACHINE SERVICE INC.



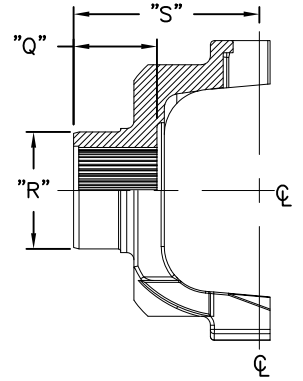
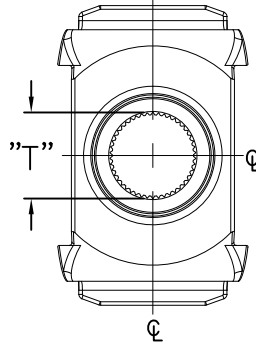
COMMERCIAL TRUCK END YOKE IDENTIFICATION



BEARING-PLATE



HALF-ROUND



| | | |
|-------|-----------------------------|--|
| Q | THRU HOLE LENGTH | |
| R | GROUND HUB DIA. | |
| S | CENTERLINE TO END | |
| T | MAJOR SPLINE DIA. | |
| STYLE | HALFROUND/ BEARING PLATE | |
| | U-JOINT SERIES | |
| | COUNTER BORE DIA. | |
| | SPLINE COUNT | |

Green Bay Parts Dept.
 (920) 339-3009
 1000 Ashwaubenon St.
 Green Bay, WI 54304

Waukesha Parts Dept.
 (262) 521-3234
 W229 N1823 Westwood Dr.
 Waukesha, WI 53186

