



**MACHINE SERVICE INC.**

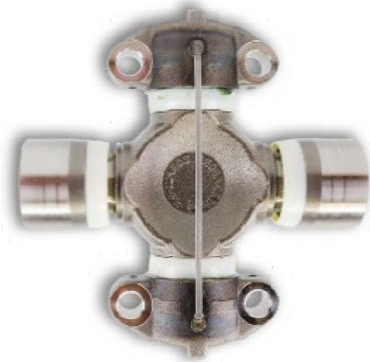


COMMERCIAL TRUCK

U-JOINT IDENTIFICATION

SERIES:

RPL



SPL

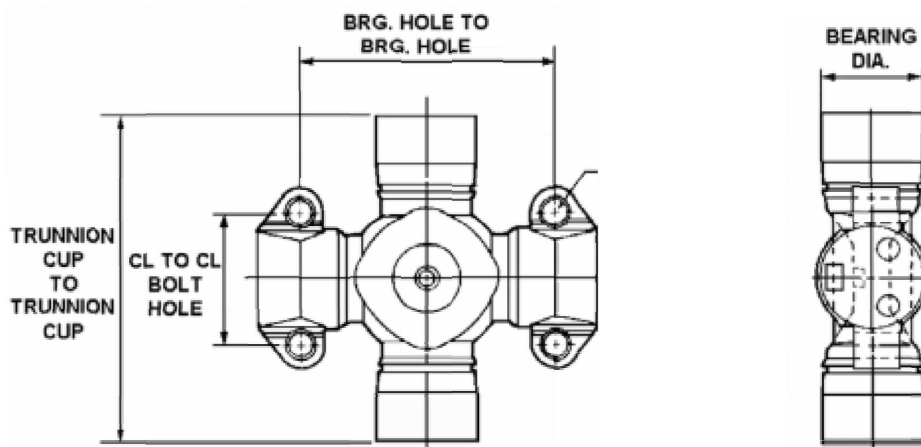


10 SERIES/HR



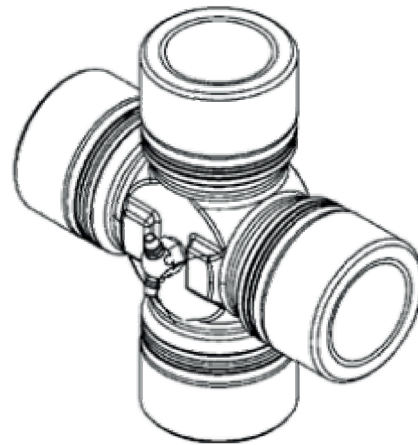
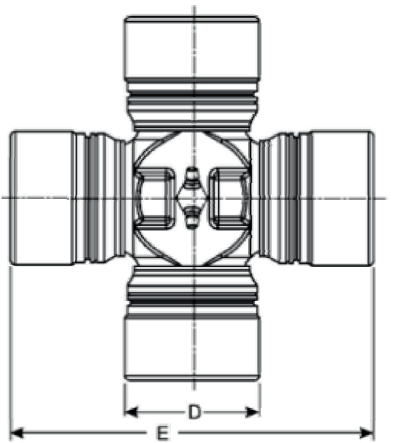
10 SERIES/BP



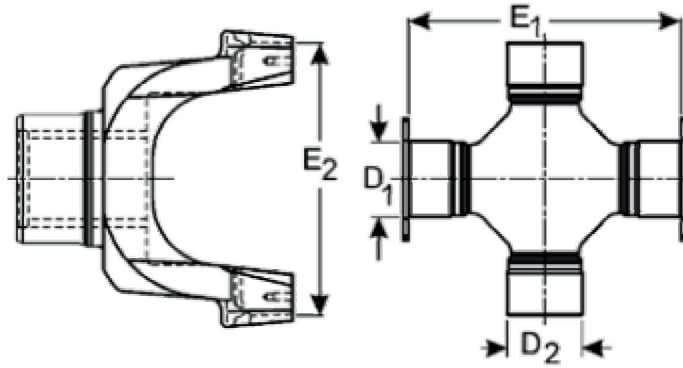


RPL SERIES	BEARING DIA	CL TO CL BOLT HOLES	BRG HOLE TO BRG HOLE	TRUNNION TO TRUNNION	GREASABLE
					Y=YES/N=NO
RPL20	2.06"	2.81"	5.30"	6.88"	NO
RPL25	2.06"	2.81"	6.63"	8.20"	NO
RPL35	2.45"	ROUND CAPS	ROUND CAPS	7.367"	NO

MOUNTING HARDWARE: CS-C8-20-52



SPL SERIES	E	D	STRAP KIT	GREASABLE
	STACK	CAP DIA		Y=YES/N=NO
SPL170	6.456"	2.165"	170-70-18X	Y
SPL170-SF	6.456"	2.165"	170-70-18X	N
SPL250	6.417"	2.362"	250-70-18X	Y
SPL250-SF	6.417"	2.362"	250-70-18X	N
SPL350	6.772"	2.559"	350-70-18X	Y
SPL350SFX	6.772"	2.559"	350-70-18X	N



SERIES HR/BP	E1	E2	D1/D2	STRAP KIT	GREASABLE
	BETWEEN CAPS	BETWEEN ENDYOKE TABS	CAP DIA		Y=YES N=NO
1610-HR	5.312"	5.312"	1.875"	6.5-70-18X	YES
1610-BP	5.312"	5.312"	1.875"		YES
1710-HR	6.094"	6.094"	1.938"	6.5-70-18X	YES
1710-BP	6.094"	6.094"	1.938"		YES
1760-HR	7.000"	7.000"	1.938"	6.5-70-18X	YES
1760-BP	7.000"	7.000"	1.938"		YES
1810-HR	7.547"	7.547"	1.938"	6.5-70-18X	YES
1810-BP	7.547"	7.547"	1.938"		YES

USE A DIAL CALIPER TO MEASURE TO ENSURE ACCURACY

Green Bay Parts Dept  
 (920) 339-3009  
 1000 Ashwaubenon St.  
 Green Bay, WI 54304

Waukesha Parts Dept.  
 (262) 521-3234  
 W229 N1823 Westwood Dr.  
 Waukesha, WI 53186